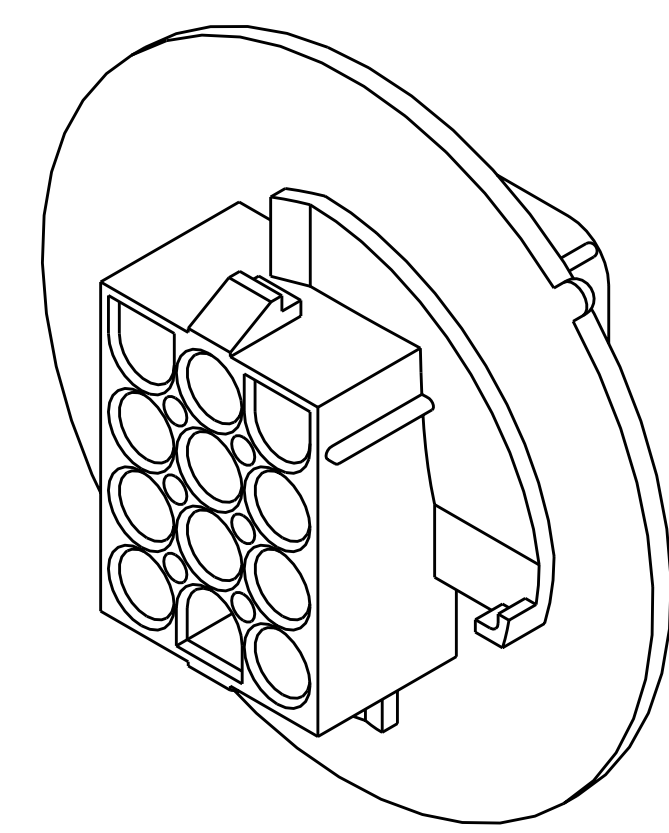
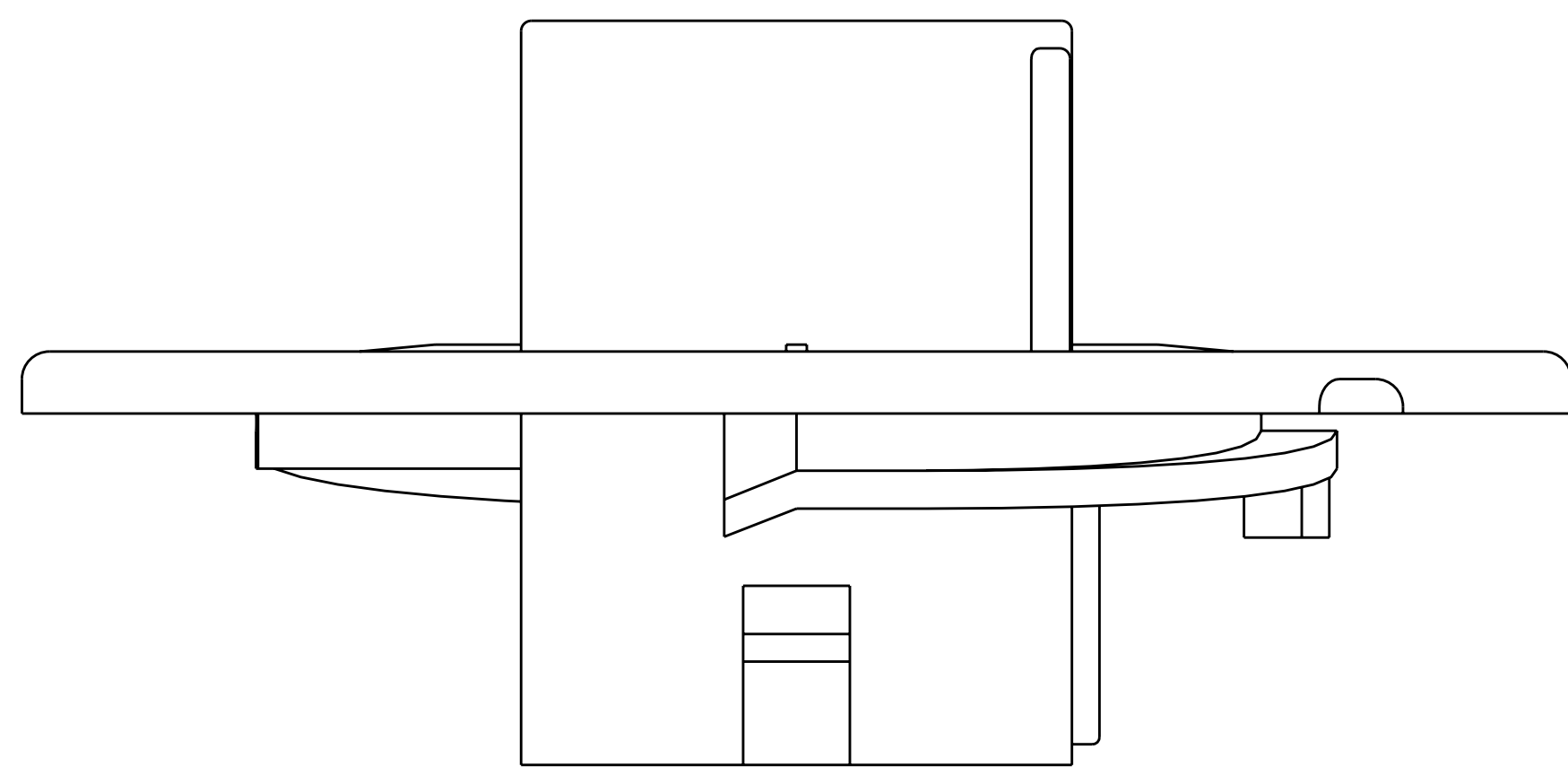
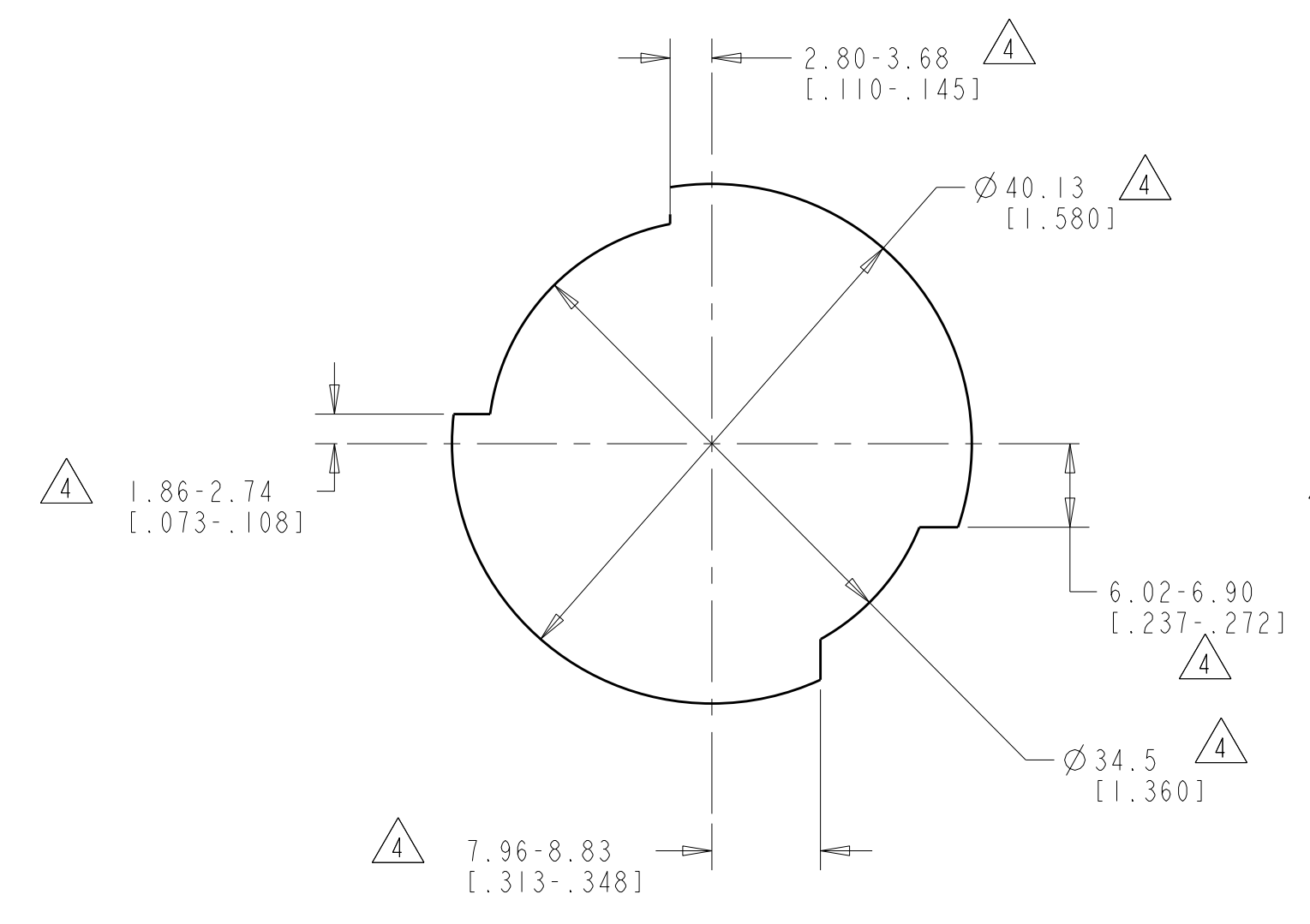


LOC	DIST	REV	DATE	BY	APPD
CM	00				
REVISIONS					
REV	DATE	DESCRIPTION	BY	APPD	
E	13OCT2006	REVISED PER ECO-06-023424	KW	SR	
E1	18OCT2006	REVISED PER ECO-06-024553	KW	SR	
E2	15DEC2006	REVISED PER ECO-06-028575	KW	SR	

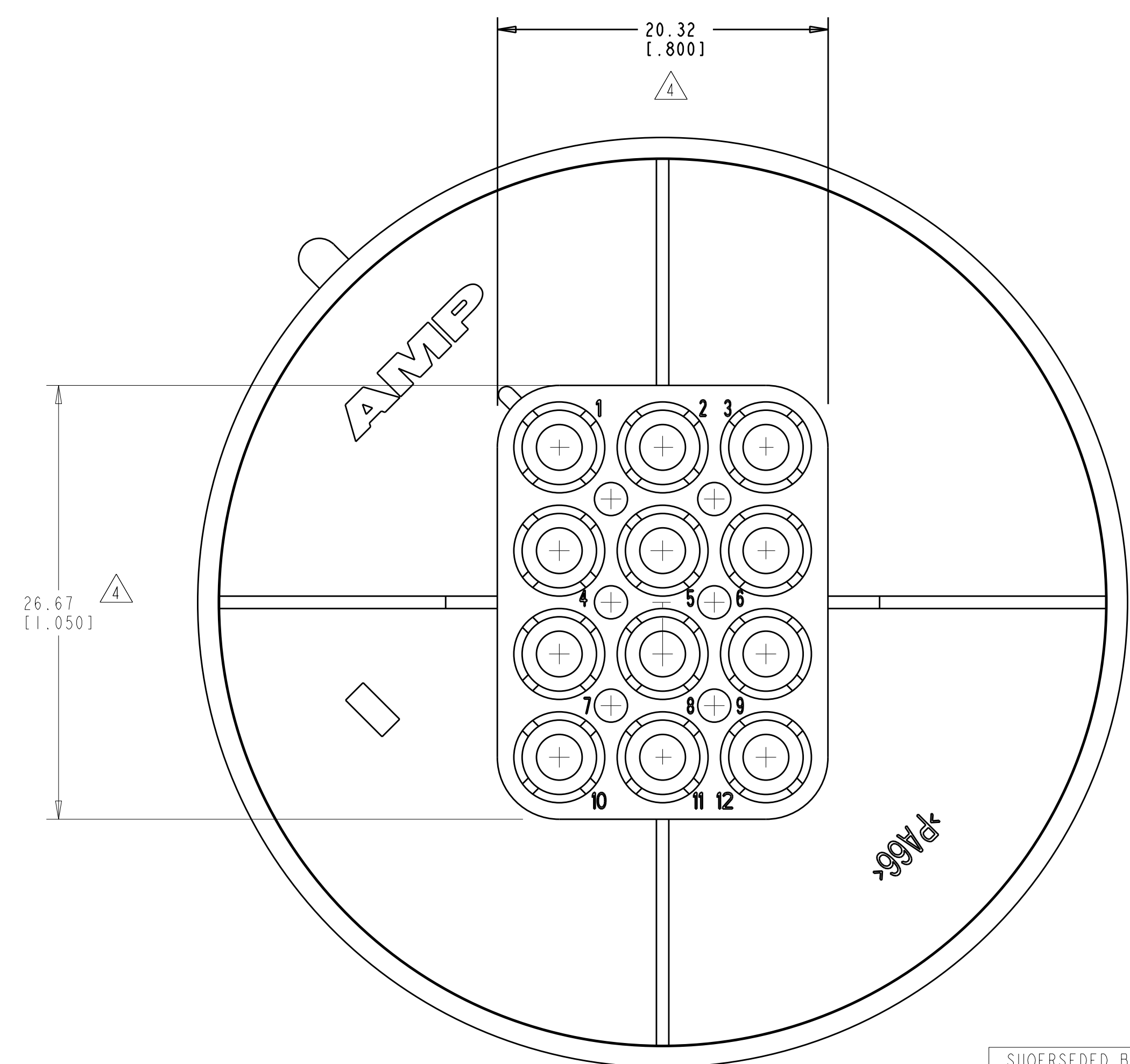
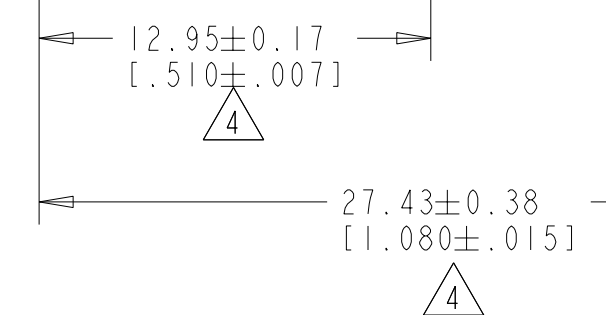
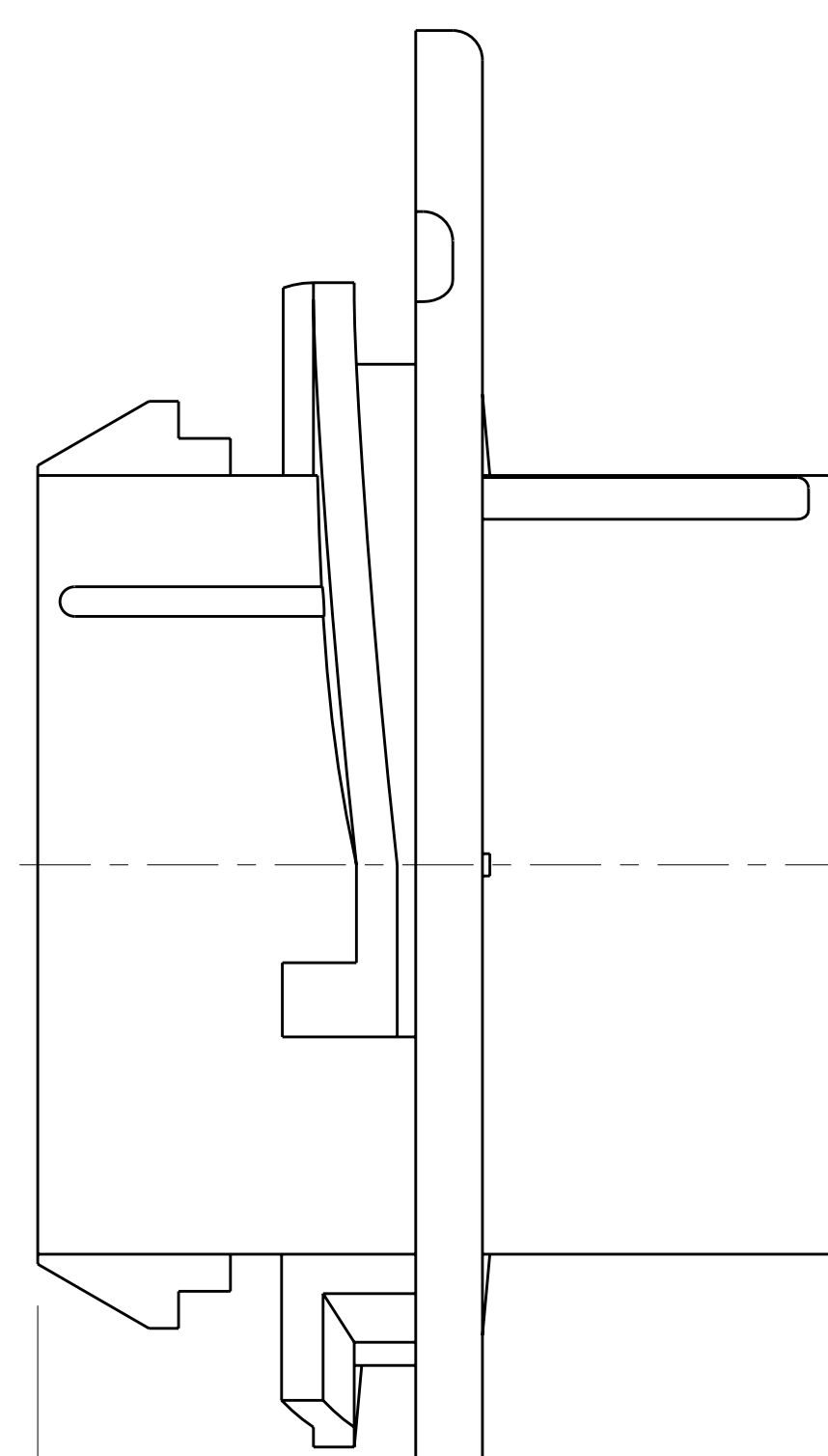
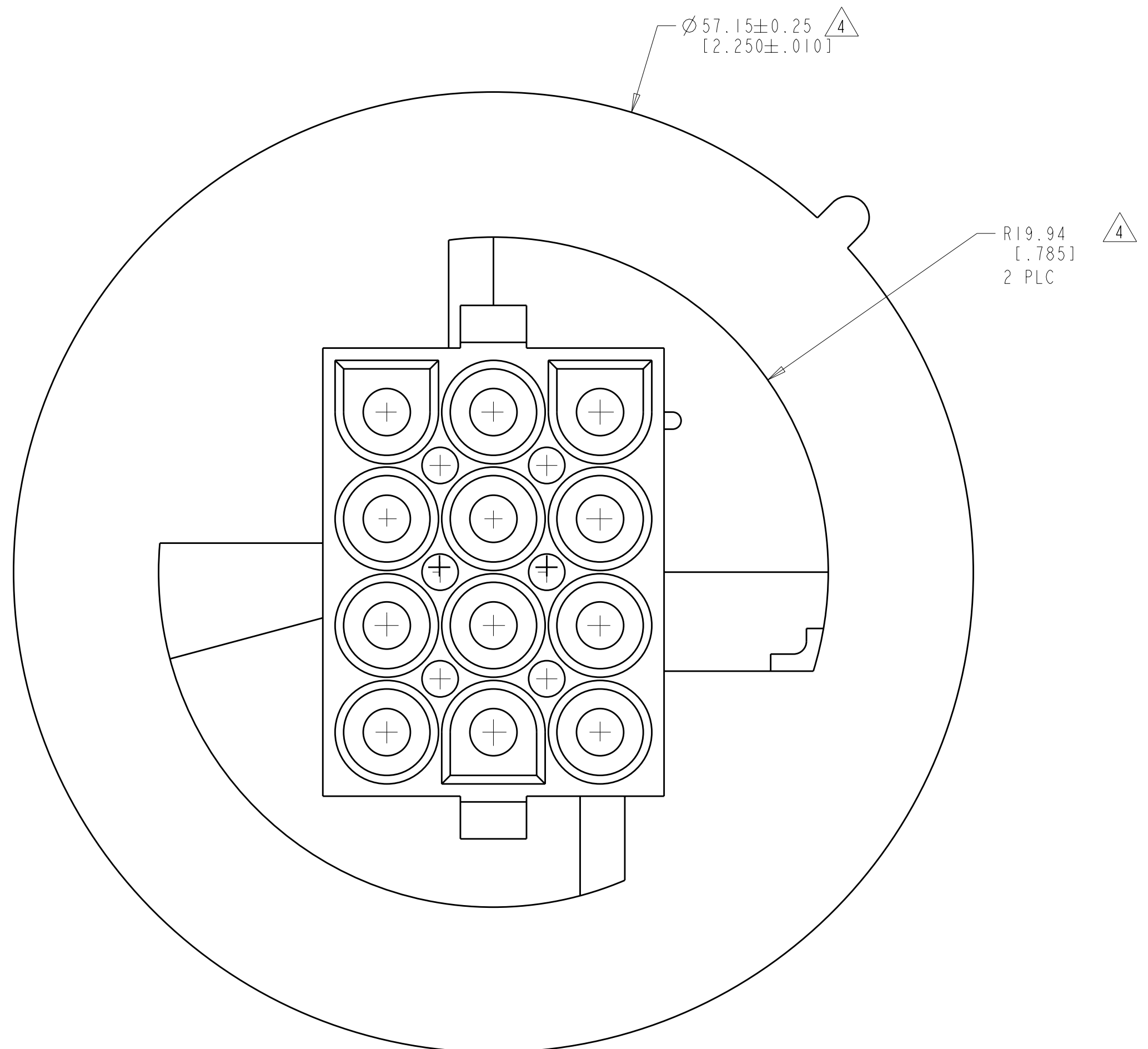


3-DIMENSIONAL MODEL
SCALE 2:1



RECOMMENDED CUT OUT
SCALE 2:1

1. MATES WITH APPROPRIATE UNIVERSAL MATE-N-LOK™ PLUG.
 2. RECOMMENDED PANEL THICKNESS 0.76 - 2.29 [0.030 - .090].
 3. PANEL MUST BE PUNCHED SO THAT THE HOUSING ENTERS THE PANEL IN THE SAME DIRECTION AS THE PUNCH.
- ⚠ DIMENSIONS INDICATED ARE REFERENCE. ADDITIONAL GROWTH DUE TO SUBSEQUENT MOISTURE ABSORPTION MAY OCCUR.



COLOR	PART NUMBER
BLACK	1-794762-9
GRAY	1-794762-8
BLUE	1-794762-6
GREEN	1-794762-5
YELLOW	1-794762-4
ORANGE	1-794762-3
RED	1-794762-2
BROWN	1-794762-1
RED	794762-3
NATURAL	794762-1
COLOR	PART NUMBER

SUOERSEDED BY 794762-3

DIMENSIONS: mm [INCHES]		TOLERANCES UNLESS OTHERWISE SPECIFIED: 9 PLC ± 8 PLC ±0.131(.005) 5 PLC ± 4 PLC ± ANGLES ±40° 30'		DWN: K. WHITAKER CHK: K. COBLE APVD: K. COBLE DATE: 20-JUNE-2000		AMP Incorporated Harrisburg, PA 17105-3608	
MATERIAL: NYLON UL 94V-0, WHITE		FINISH:		PRODUCT SPEC: APPLICATION SPEC:		NAME: CAP, 12 CIRCUIT, UNIVERSAL MATE-N-LOK(TM), SPECIAL	
CUSTOMER DRAWING		WEIGHT:		SIZE: A CAGE CODE: 00779 DRAWING NO: 794762		RESTRICTED TO:	
SCALE: 4:1		SHEET: 1 OF 1		REV: E2		DATE:	

